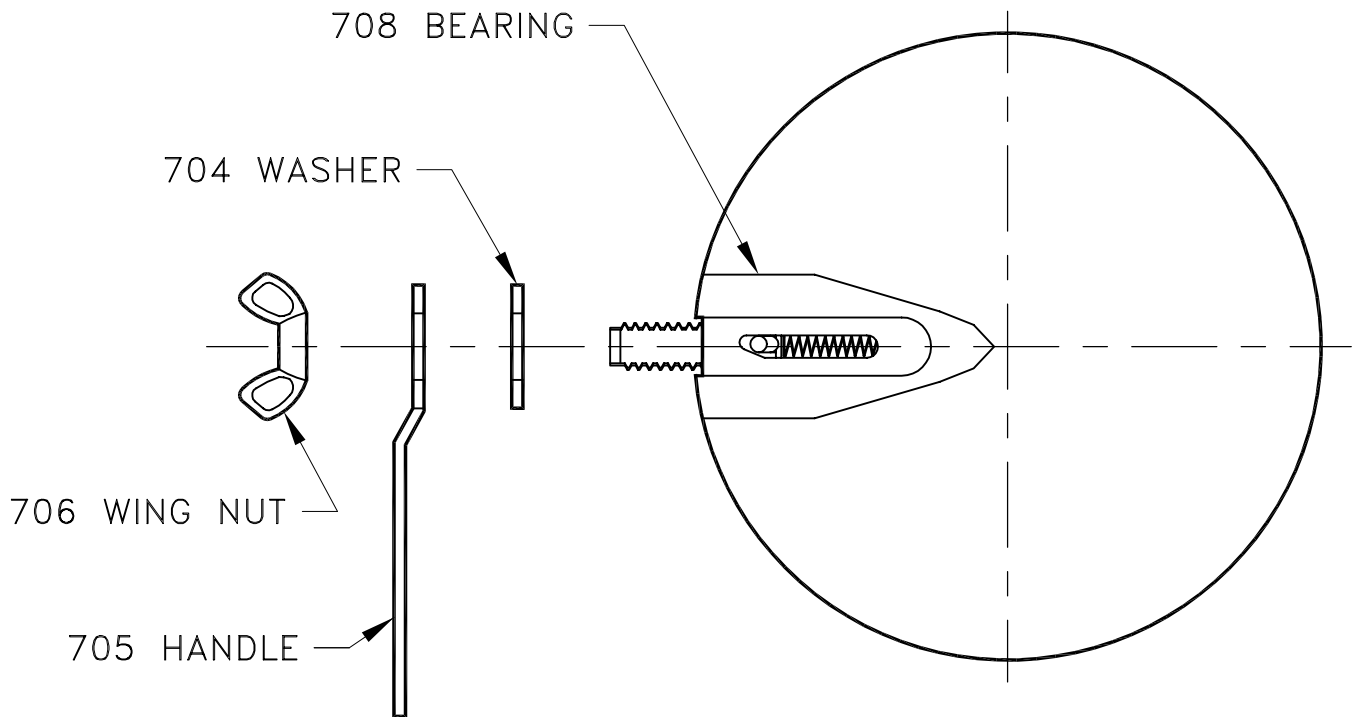


• FURNISHED UNASSEMBLED



CAT. NO.	SIZE	A O.D.
65	5	4-3/4
66	6	5-3/4

JOB NAME: _____	SUBMITTED BY: _____	DATE: 1/18/99	SD-2710
LOCATION: _____	65, 66 Warm Air Damper		
ARCHITECT: _____			
ENGINEER: _____			
CONTRACTOR: _____			