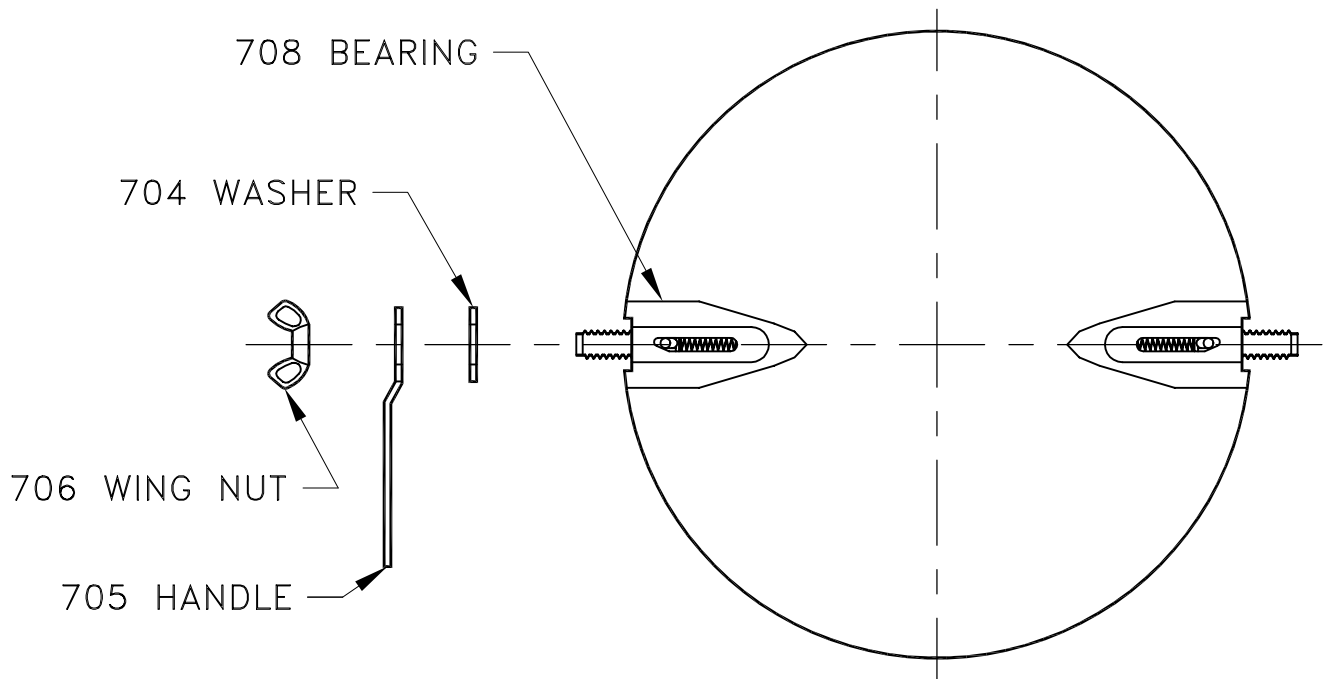


• FURNISHED UNASSEMBLED



CAT. NO.	SIZE	A O.D.
607	7	6-3/4
608	8	7-3/4

JOB NAME: _____	SUBMITTED BY: _____	DATE: 1/18/99	SD-2712
LOCATION: _____	607, 608 Air Damper		
ARCHITECT: _____			
ENGINEER: _____			
CONTRACTOR: _____			