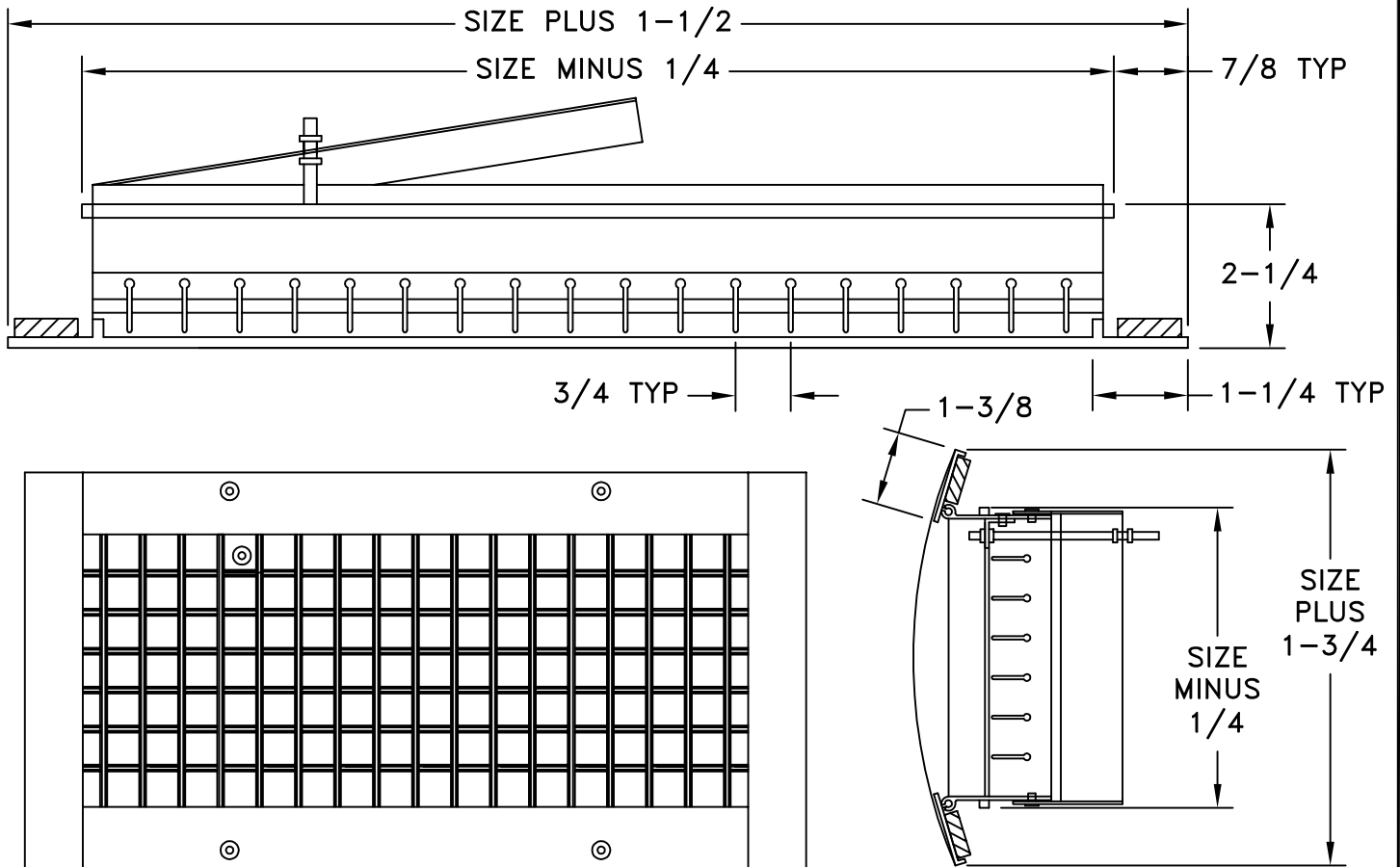


- EXTRUDED ALUMINUM CONSTRUCTION
- SINGLE (VERTICAL) AND DOUBLE (VERTICAL & HORIZONTAL) DEFLECTION
- ADJUSTABLE BLADES
- GASKETS ON MARGIN
- OPTIONAL AIR SCOOP WITH FACE SCREW ADJUSTMENT
- MINIMUM SIZE 10 x 3 , MAXIMUM SIZE 36 x 12, SEE CHART BELOW
- FINISH: WHITE (W) ENAMEL OR SATIN ANODIZED (SA)



MINIMUM DUCT DIAMETER

MAXIMUM DUCT DIAMETER FOR ALL SIZES IS 36"

HEIGHT	WIDTH								
	10	12	14	16	18	20	24	30	36
3	5	5	5	5	5	5	5	5	5
4	6	6	6	6	6	6	6	6	6
6	8	8	8	8	8	8	8	8	8
8	10	10	10	10	10	10	10	10	10
10	~	12	12	12	12	12	12	12	12
12	~	~	14	14	14	14	14	14	14

JOB NAME: _____
 LOCATION: _____
 ARCHITECT: _____
 ENGINEER: _____
 CONTRACTOR: _____

SUBMITTED BY: _____

DATE: 4/29/09

SD-9714

SV/SVH
 Single And Double Deflection
 Aluminum
 Spiral Duct Diffuser