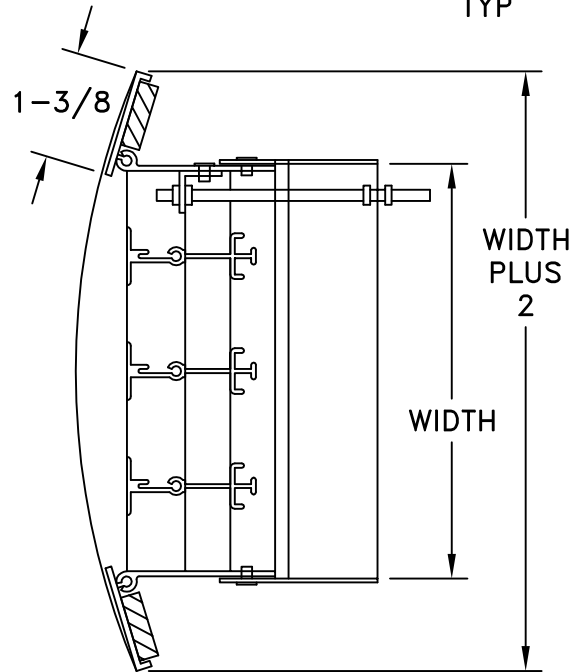
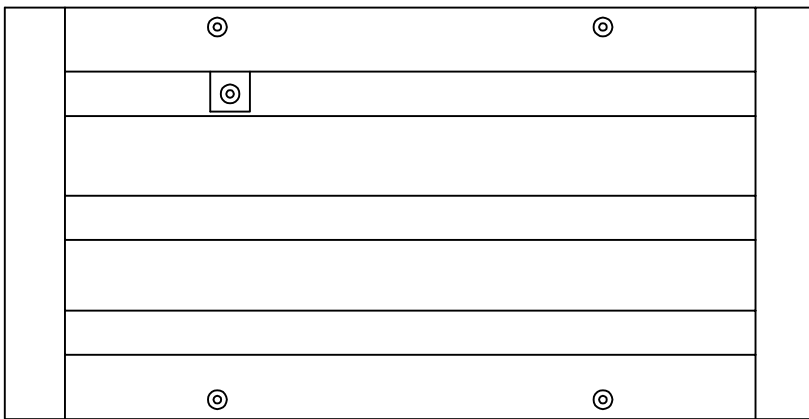
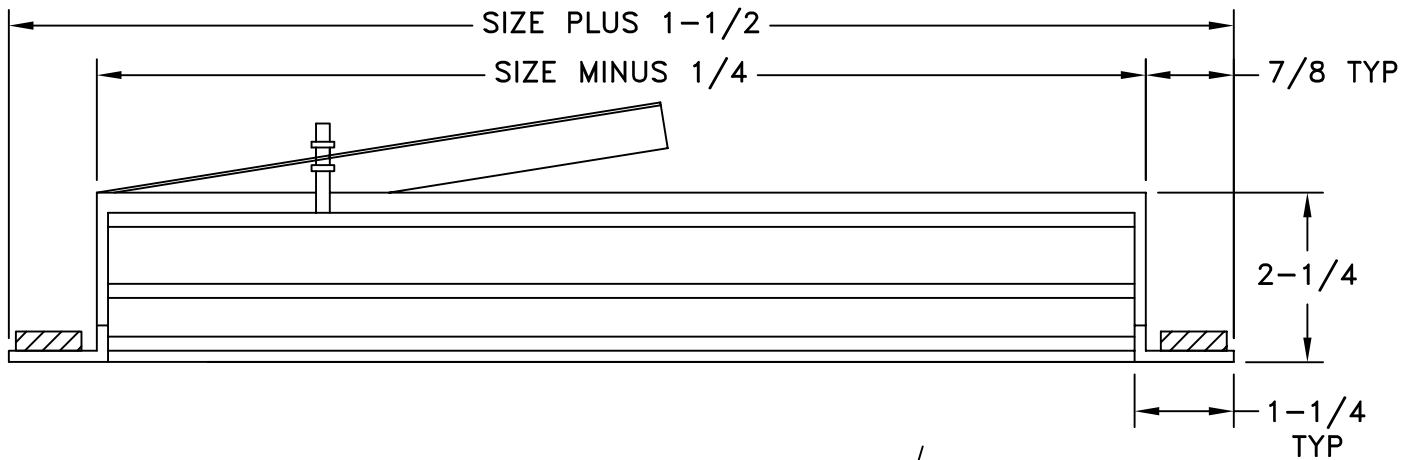


- EXTRUDED ALUMINUM CONSTRUCTION
- OPTIONAL AIR SCOOP WITH FACE SCREW ADJUSTMENT
- THREE DIFFERENT SLOT WIDTHS AND ONE TO FOUR SLOTS
- FOR 6 INCH TO 36 INCH DIAMETER DUCT
- GASKETS ON MARGINS
- 6 INCH INCREMENTS OF LENGTH TO 48 INCHES
- FINISH: WHITE (W) ENAMEL OR SATIN ANODIZED (SA)



SLOT WIDTH	WIDTH/MINIMUM DUCT DIAMETER			
	NUMBER OF SLOTS			
	1	2	3	4
50 (1/2")	1.75/6	3.00/8	4.25/12	5.50/16
75 (3/4")	2.00/6	3.50/10	5.00/14	6.50/22
10 (1")	2.25/6	4.00/12	5.75/16	7.50/28

JOB NAME: _____	SUBMITTED BY: _____	DATE: 8/6/08	SD-9715
LOCATION: _____		SS Aluminum Spiral Duct Slot Diffuser	
ARCHITECT: _____			
ENGINEER: _____			
CONTRACTOR: _____			