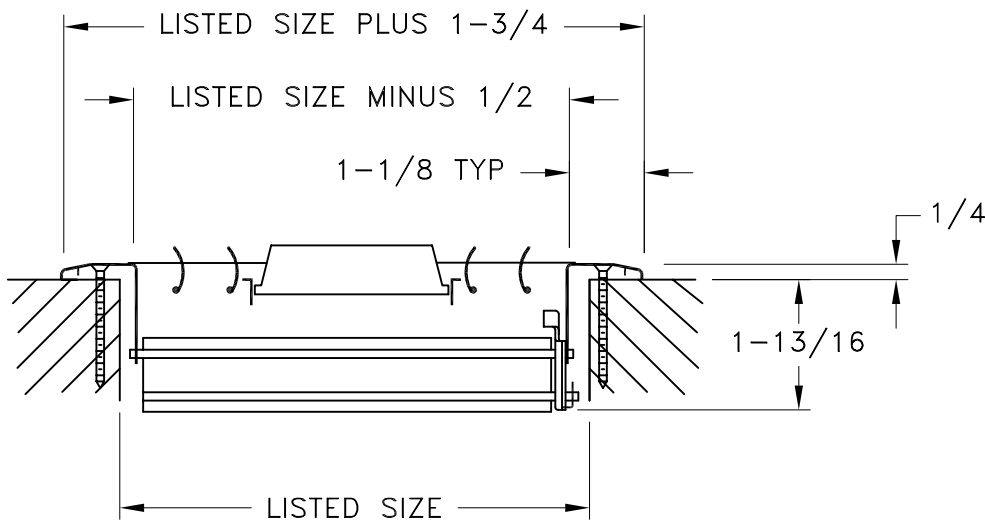
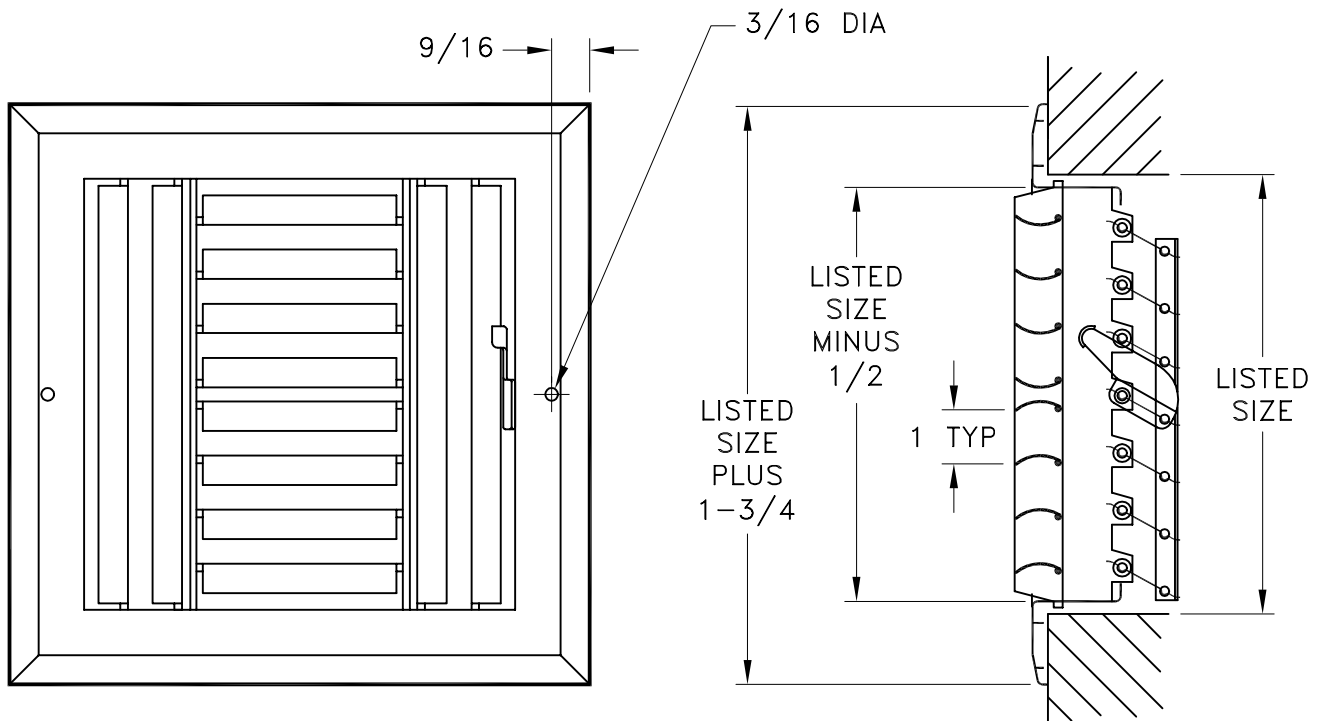


- ALUMINUM FACE, ALUMINIZED AND GALVANIZED STEEL DAMPER
- ADJUSTABLE CURVED BLADES
- MULTI-SHUTTER DAMPER
- MINIMUM SIZE = 6 X 6
- MAXIMUM SIZE = 14 X 14
- FINISH: WHITE (W) ENAMEL OR SATIN ANODIZED (SA)



JOB NAME: _____	SUBMITTED BY: _____	DATE: 4/21/00	SD-2504
LOCATION: _____		A614MS Aluminum Curved Blade Register 4-Way Air Pattern	
ARCHITECT: _____			
ENGINEER: _____			
CONTRACTOR: _____			