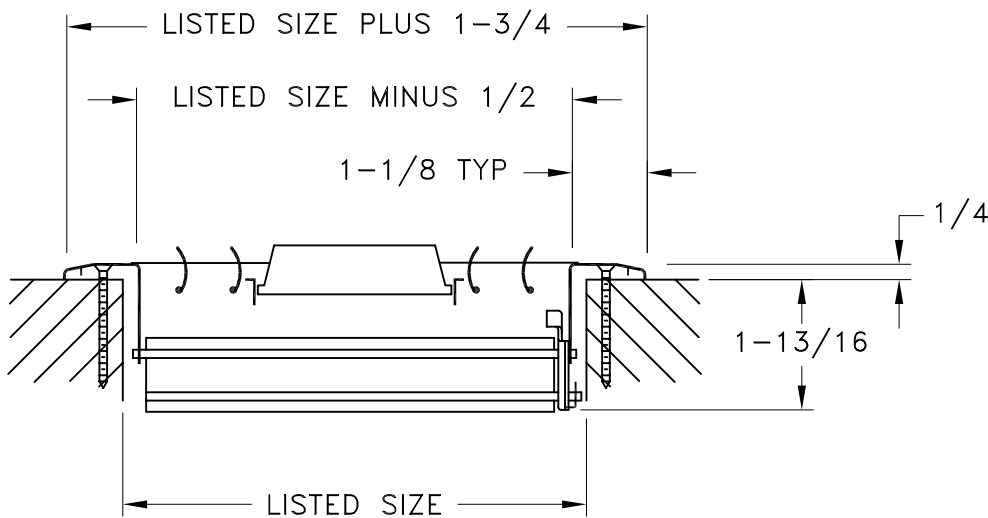
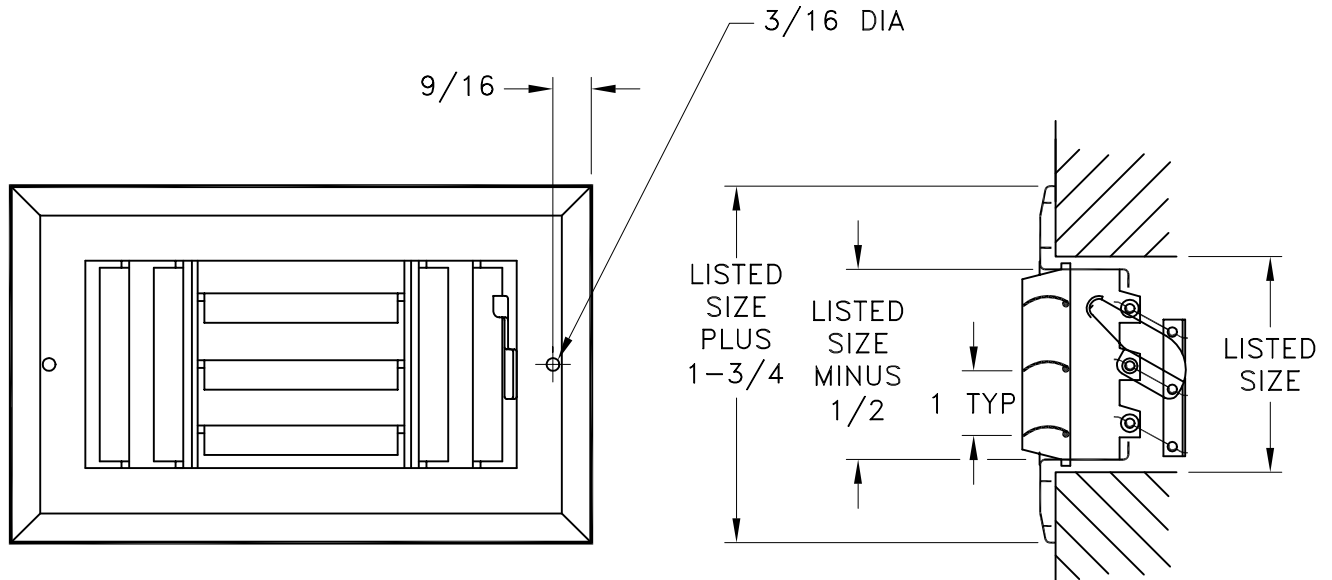


- ALUMINUM FACE, ALUMINIZED AND GALVANIZED STEEL DAMPER
- ADJUSTABLE CURVED BLADES
- MULTI-SHUTTER DAMPER
- MINIMUM SIZE = 8 X 4
- MAXIMUM SIZE = 14 X 14
- FINISH: WHITE (W) ENAMEL OR SATIN ANODIZED (SA)



JOB NAME: _____	SUBMITTED BY: _____	DATE: 4/21/00	SD-2503
LOCATION: _____		A613MS	
ARCHITECT: _____		Aluminum	
ENGINEER: _____		Curved Blade Register	
CONTRACTOR: _____		3-Way Air Pattern	