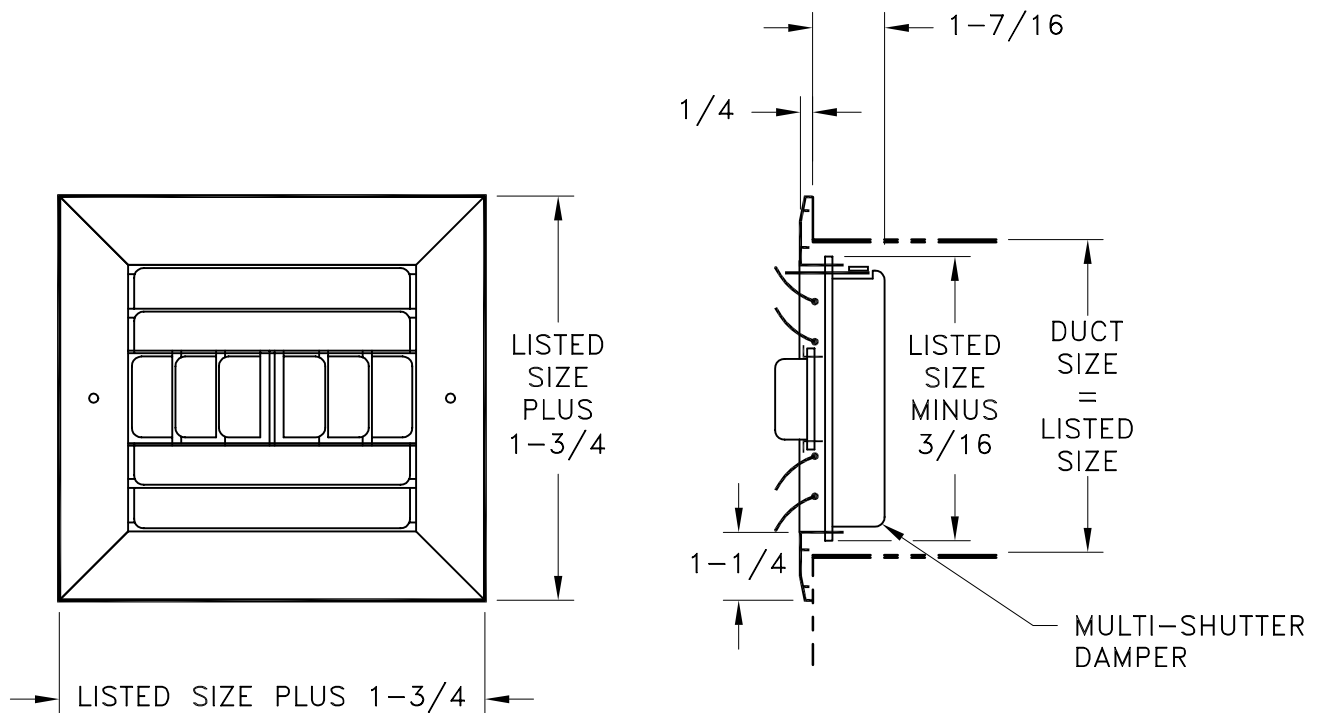


- EXTRUDED ALUMINUM CONSTRUCTION
- ADJUSTABLE BARS ON 1 INCH CENTERS
- 1-WAY, 2-WAY AND 3-WAY DEFLECTIONS AVAILABLE
- SCREW HOLE LOCATIONS STANDARD UNLESS OTHERWISE SPECIFIED
- FOR SCREW HOLE LOCATIONS SEE SD-9140
- MINIMUM SIZE: 6 X 4
- MAXIMUM SIZE: 36 X 36 ONE PIECE CONSTRUCTION
- AVAILABLE IN 1 INCH INCREMENTS
- FINISH: WHITE (W) ENAMEL OR SATIN ANODIZED (SA)



## CM4 REGISTER

JOB NAME: _____	SUBMITTED BY: _____	DATE: 4/24/00	SD-9101
LOCATION: _____	<b>CM SERIES</b> Extruded Aluminum Adjustable Curved Blade Register With Multi-Shutter Valve		
ARCHITECT: _____			
ENGINEER: _____			
CONTRACTOR: _____			