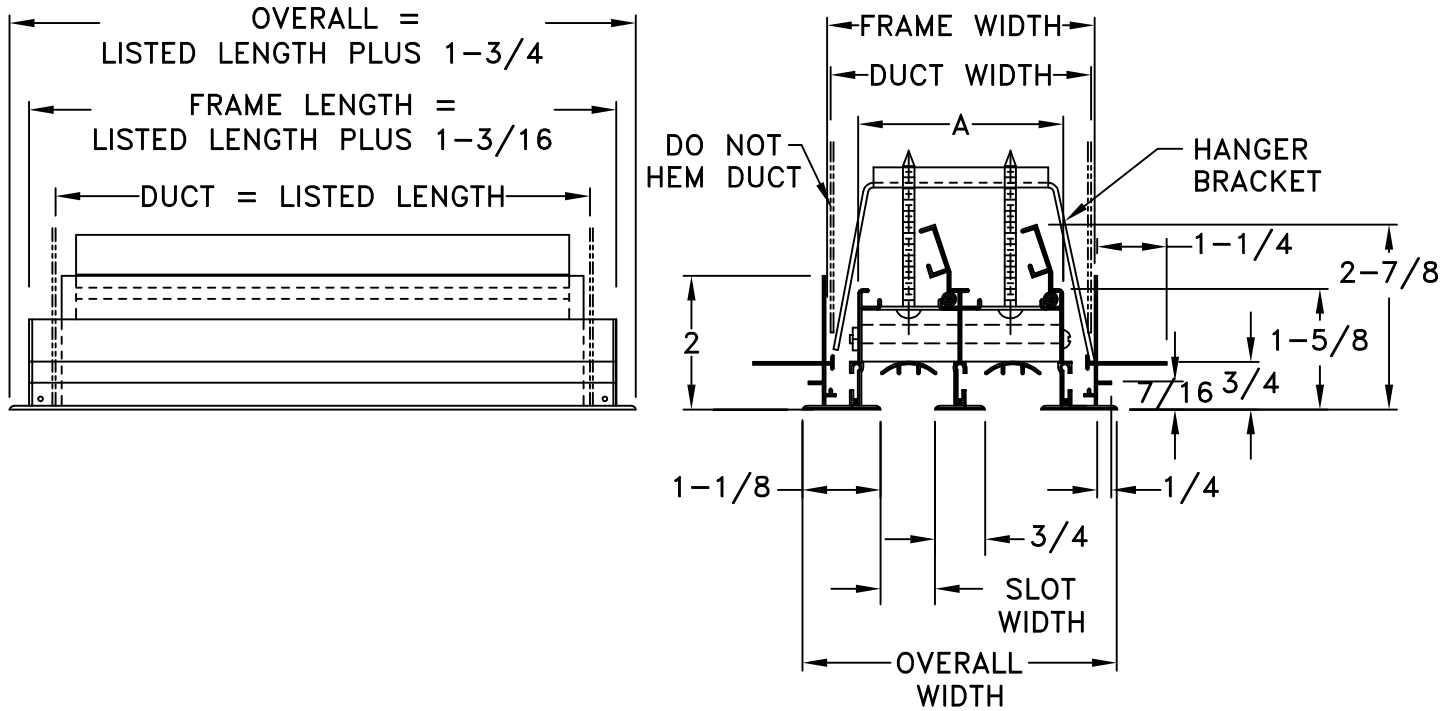


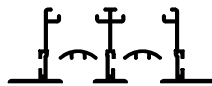
- EXTRUDED ALUMINUM CONSTRUCTION
- MINIMUM SIZE = 12 INCHES
- MAXIMUM SIZE = 72 INCHES ONE PIECE CONSTRUCTION
- MULTIPLE SECTIONS KEYED FOR PROPER ALIGNMENT
- DIFFUSERS AVAILABLE WITH ONE TO TEN SLOTS, WITH OR WITHOUT PATTERN CONTROLLER
- FINISH: WHITE (W) ENAMEL OR SATIN ANODIZED (SA)



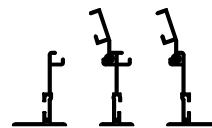
- FOR CONCEALED MOUNTING WITH NON-FLUSH FRAME IN PLASTER OR TILE
- CONTRACTOR TO FRAME OPENING TO INSURE STRAIGHT LINE INSTALLATION (TYPICAL ALL INSTALLATIONS)



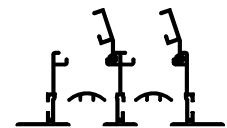
MARGIN ONLY



MARGIN AND  
PATTERN  
CONTROLLER



MARGIN  
AND  
DAMPER



MARGIN, DAMPER  
AND PATTERN  
CONTROLLER

SLOT WIDTH	TYPE	A	DUCT WIDTH	FRAME WIDTH	OVERALL WIDTH
1/2	50	1-1/4 X NO. OF SLOTS	A + 13/16	A + 7/8	A + 1-1/2
3/4	75	1-1/2 X NO. OF SLOTS	A + 13/16	A + 7/8	A + 1-1/2
1	10	1-3/4 X NO. OF SLOTS	A + 13/16	A + 7/8	A + 1-1/2

JOB NAME: \_\_\_\_\_

LOCATION: \_\_\_\_\_

ARCHITECT: \_\_\_\_\_

ENGINEER: \_\_\_\_\_

CONTRACTOR: \_\_\_\_\_

SUBMITTED BY: \_\_\_\_\_

DATE: 3/12/08

SD-9622

## S SERIES

Slot Diffuser  
Margin E2-Surface Mount with  
Plaster Frame