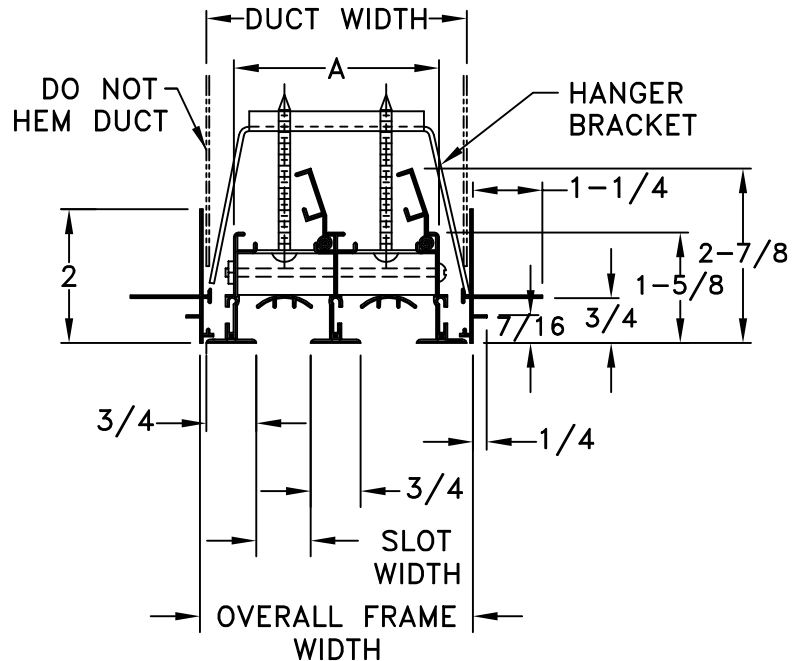
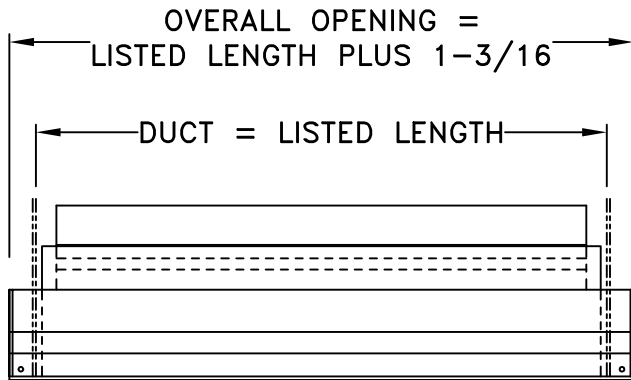


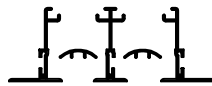
- EXTRUDED ALUMINUM CONSTRUCTION
- MINIMUM SIZE = 12 INCHES
- MAXIMUM SIZE = 72 INCHES ONE PIECE CONSTRUCTION
- MULTIPLE SECTIONS KEYED FOR PROPER ALIGNMENT
- DIFFUSERS AVAILABLE WITH ONE TO TEN SLOTS, WITH OR WITHOUT PATTERN CONTROLLER OR DAMPER
- FINISH: WHITE (W) ENAMEL OR SATIN ANODIZED (SA)



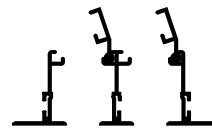
- FOR CONCEALED MOUNTING OF FLUSH FRAME IN PLASTER OR TILE
- CONTRACTOR TO FRAME OPENING TO INSURE STRAIGHT LINE INSTALLATION (TYPICAL ALL INSTALLATIONS)



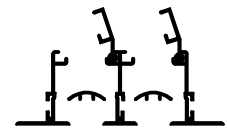
MARGIN ONLY



MARGIN AND  
PATTERN  
CONTROLLER



MARGIN  
AND  
DAMPER



MARGIN, DAMPER  
AND PATTERN  
CONTROLLER

SLOT WIDTH	TYPE	A	DUCT WIDTH	OVERALL FRAME WIDTH
1/2	50	1-1/4 X NO. OF SLOTS	A + 13/16	A + 15/16
3/4	75	1-1/2 X NO. OF SLOTS	A + 13/16	A + 15/16
1	10	1-3/4 X NO. OF SLOTS	A + 13/16	A + 15/16

JOB NAME: \_\_\_\_\_  
 LOCATION: \_\_\_\_\_  
 ARCHITECT: \_\_\_\_\_  
 ENGINEER: \_\_\_\_\_  
 CONTRACTOR: \_\_\_\_\_

SUBMITTED BY: \_\_\_\_\_

DATE: 3/12/08

SD-9612

## S SERIES

Slot Diffuser  
 Margin B2-Surface Mount with  
 Plaster Frame