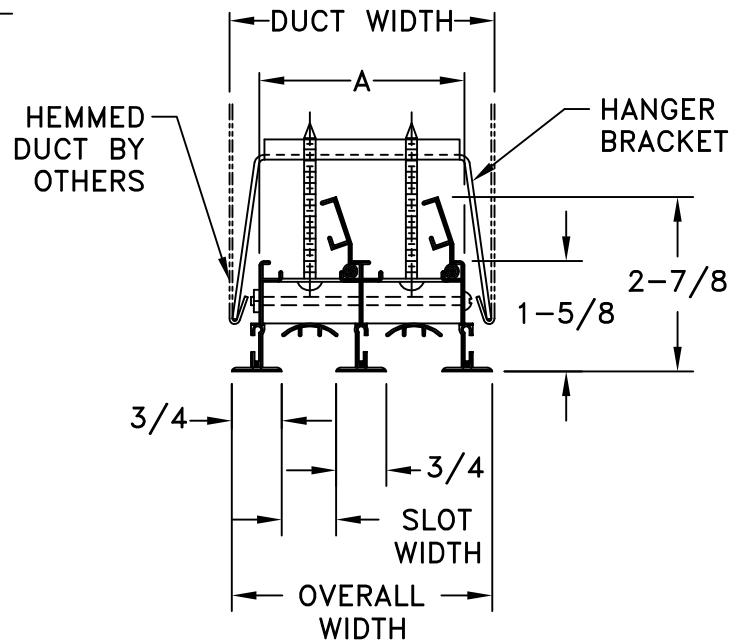
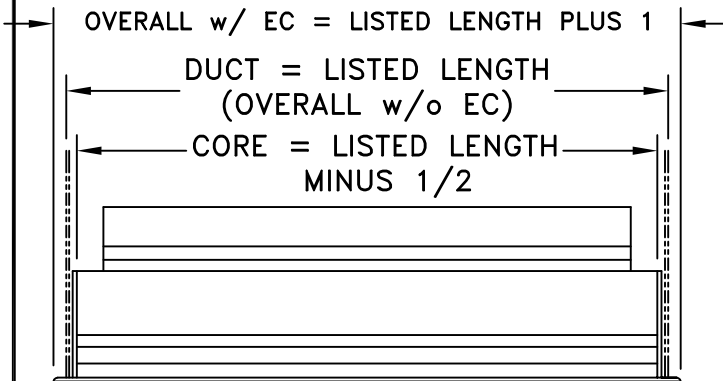
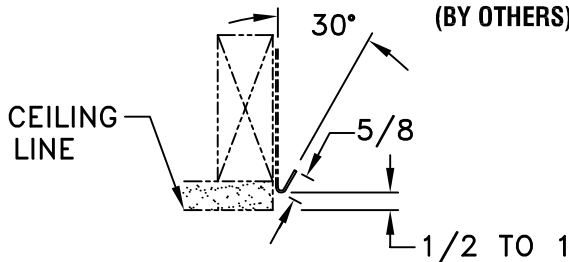


- EXTRUDED ALUMINUM CONSTRUCTION
- MINIMUM SIZE = 12 INCHES
- MAXIMUM SIZE = 72 INCHES ONE PIECE CONSTRUCTION
- MULTIPLE SECTIONS KEYED FOR PROPER ALIGNMENT
- DIFFUSERS AVAILABLE WITH ONE TO TEN SLOTS, WITH OR WITHOUT PATTERN CONTROLLER OR DAMPER
- FINISH: WHITE (W) ENAMEL OR SATIN ANODIZED (SA)

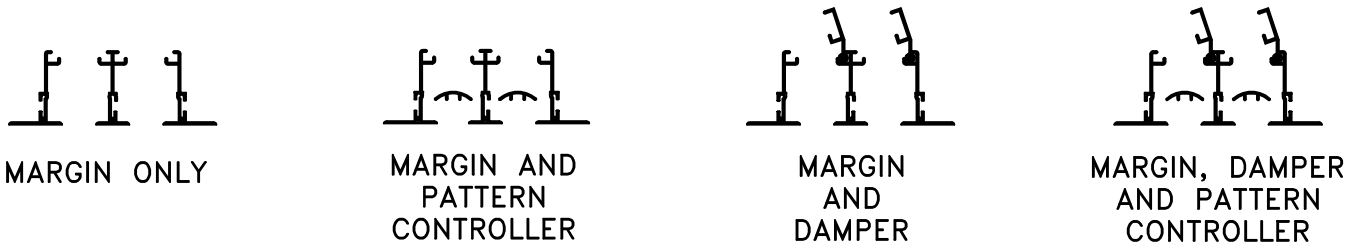


DETAIL OF HEMMED EDGE OF DUCT (BY OTHERS)



***NOTE: DUCT WIDTH IS EQUAL TO OR GREATER THAN OVERALL WIDTH.**

- HEM OF DUCT SEALS SPACE BETWEEN DUCT OPENING AND DIFFUSER.
- CONTRACTOR TO FRAME OPENING TO INSURE STRAIGHT LINE INSTALLATION (TYPICAL ALL INSTALLATIONS)



SLOT WIDTH	TYPE	A	DUCT WIDTH*	OVERALL WIDTH
1/2	50	1-1/4 X NO. OF SLOTS	A + 3/4	A + 3/4
3/4	75	1-1/2 X NO. OF SLOTS	A + 3/4	A + 3/4
1	10	1-3/4 X NO. OF SLOTS	A + 3/4	A + 3/4

JOB NAME: _____	SUBMITTED BY: _____	DATE: 01/14/08	SD-9611
LOCATION: _____	S SERIES Slot Diffuser Margin B1-Surface Mount with Hanger Brackets		
ARCHITECT: _____			
ENGINEER: _____			
CONTRACTOR: _____			