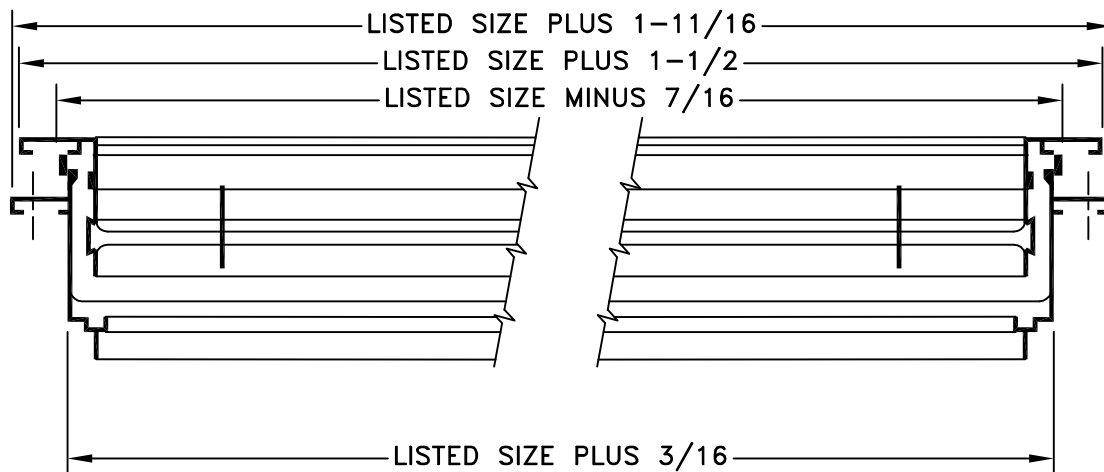
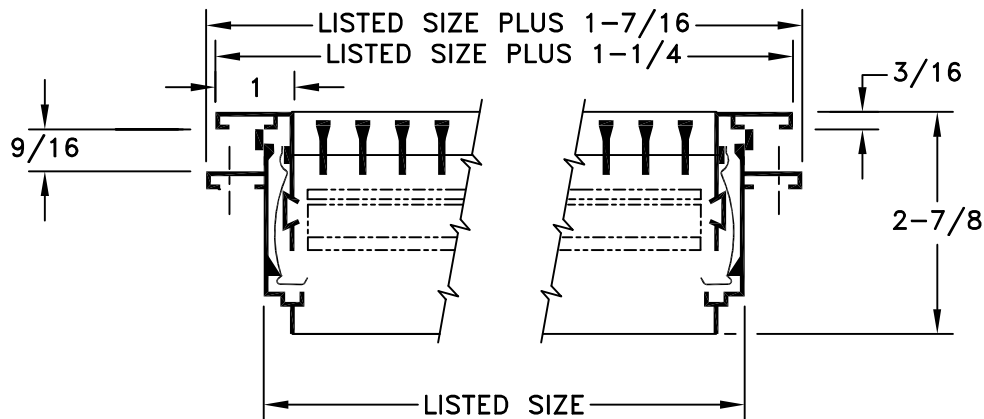
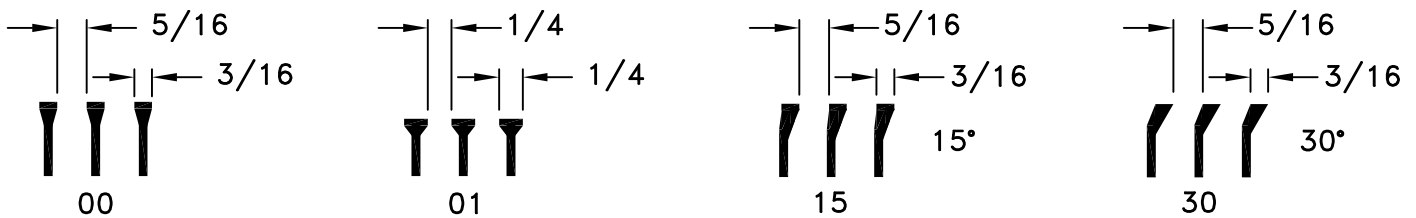


- EXTRUDED ALUMINUM CONSTRUCTION
- MINIMUM SIZE: 4 LONG X 1-1/2 WIDE ONE PIECE CONSTRUCTION
- MAXIMUM SIZE: 72 LONG X 24 WIDE ONE PIECE CONSTRUCTION
- WIDTH DIMENSION IN 1/2 INCH INCREMENTS ONLY
- LENGTHS OVER 72 INCHES ARE MULTIPLE SECTIONS WITH KEYWAY SPLICES
- INSTALL FRAMES AS DETAILED TO ENSURE PROPER FIT AND LATCHING OF GRILLE
- FINISH: WHITE (W) OR SATIN ANODIZED (SA)

**MOUNTING  
STYLE 2  
CEILING OR  
SIDEWALL**



**FACE BARS - 1/2 INCH CENTERS**



JOB NAME: \_\_\_\_\_  
 LOCATION: \_\_\_\_\_  
 ARCHITECT: \_\_\_\_\_  
 ENGINEER: \_\_\_\_\_  
 CONTRACTOR: \_\_\_\_\_

SUBMITTED BY: \_\_\_\_\_

DATE: 01/11/08 | SD-9602  
**LS SERIES**  
 Linear Grilles With  
 No. 2 Mounting Frame  
 Mounting Style 2