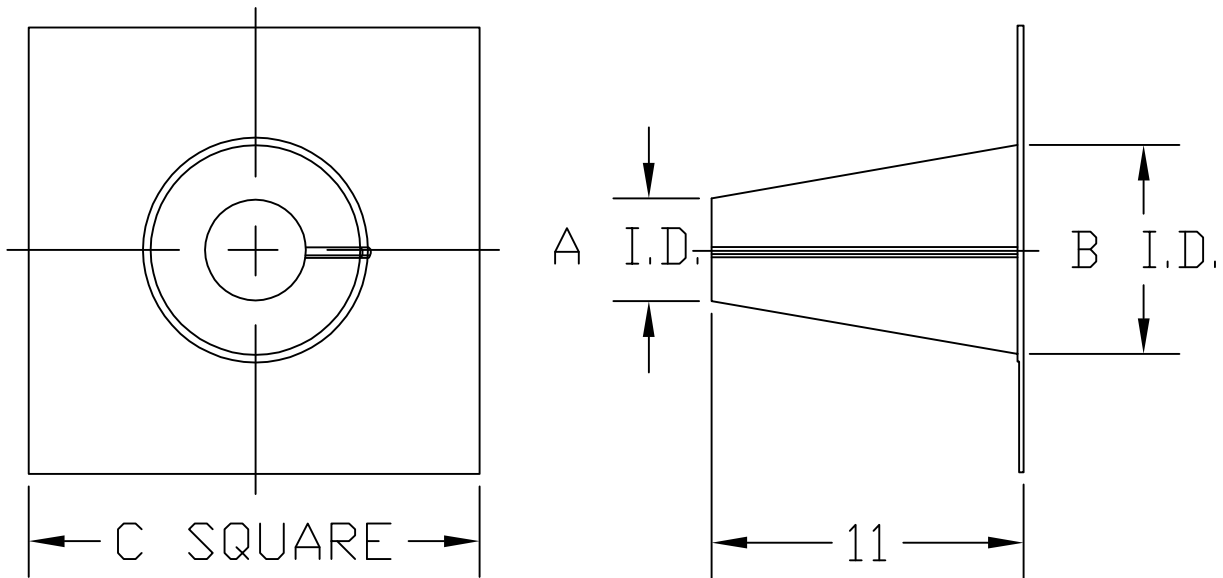


- MATERIAL:
PLATE & CONE - .018 THICK, G-90 GALVANIZED STEEL



| PART NO. | A I.D. | B O.D. | C |
|----------|----------|----------|-----|
| 26FT | 27-9/16" | 31-9/16" | 43" |
| 28FT | 29-9/16" | 31-9/16" | 45" |
| 30FT | 31-9/16" | 35-9/16" | 46" |

| | | | |
|-------------------|---------------------|------------------------|---------|
| JOB NAME: _____ | SUBMITTED BY: _____ | DATE: 10/25/06 | SD-3143 |
| LOCATION: _____ | | Type B Gas Vent | |
| ARCHITECT: _____ | | Tall Cone Flashing | |
| ENGINEER: _____ | | MODEL "FT" | |
| CONTRACTOR: _____ | | 26" - 30" Diameter | |