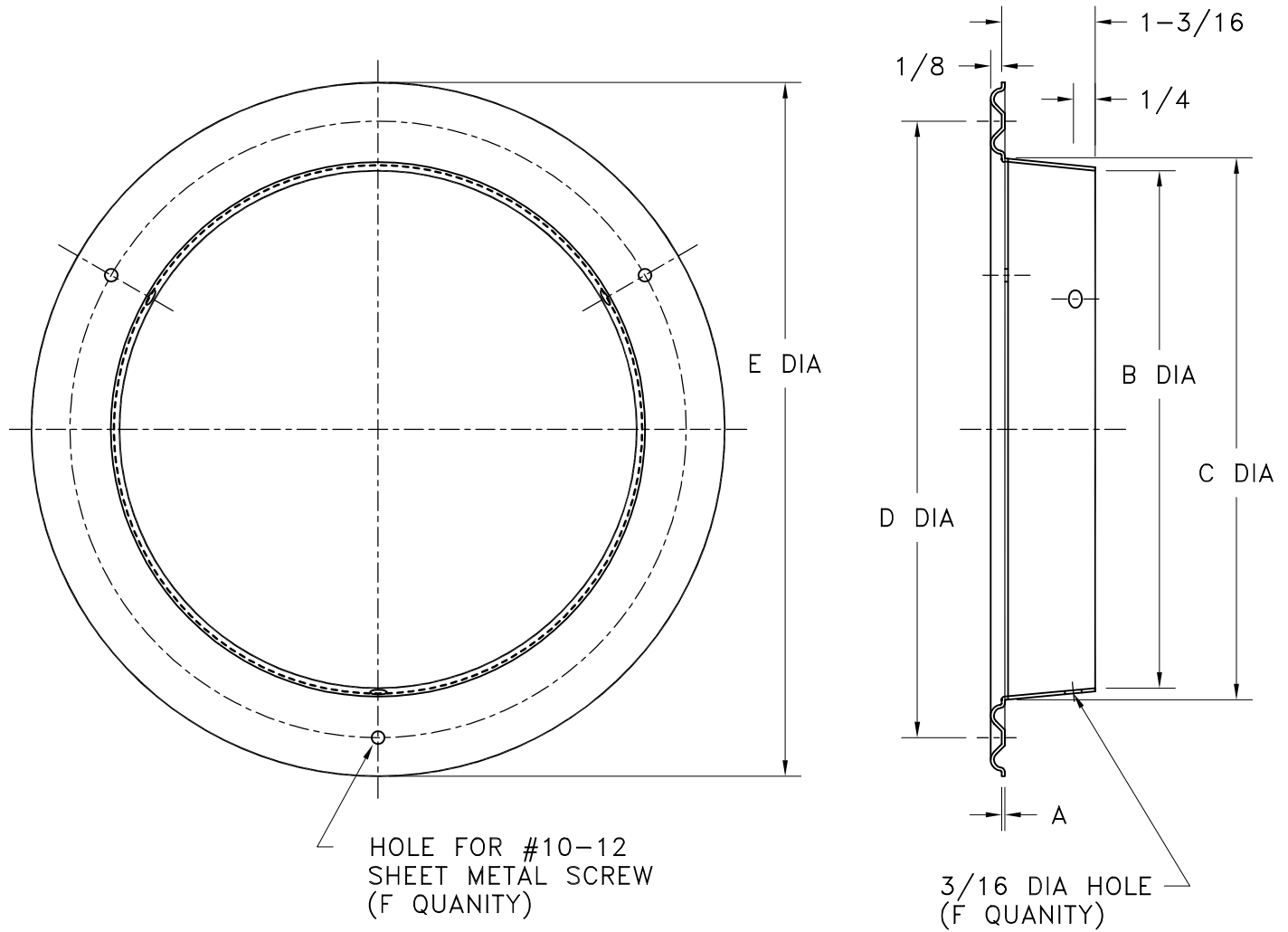


- STEEL CONSTRUCTION
- DUCT RING SPEEDS AND SIMPLIFIES THE INSTALLATION OF 20 DIFFUSER
- FOR INSTALLATION DETAILS SEE SD-9200
- FINISH: WHITE (W) ENAMEL



UNIT SIZE	A DIM	B DIM	C DIA	D DIA	E DIA	F QTY
6	.037	5-7/8	6	7	7-7/8	3
8	.050	7-7/8	8	9	9-7/8	3
10	.050	9-7/8	10	11	11-7/8	3
12	.050	11-7/8	12	13	13-7/8	6
14	.050	13-7/8	14	15	15-7/8	6
16	.050	15-7/8	16	17	17-7/8	6
18	.050	17-7/8	18	19	19-7/8	6

JOB NAME: _____	SUBMITTED BY: _____	DATE: 9/2/98	SD-9225
LOCATION: _____		18 Duct Ring For 20 Diffuser	
ARCHITECT: _____			
ENGINEER: _____			
CONTRACTOR: _____			