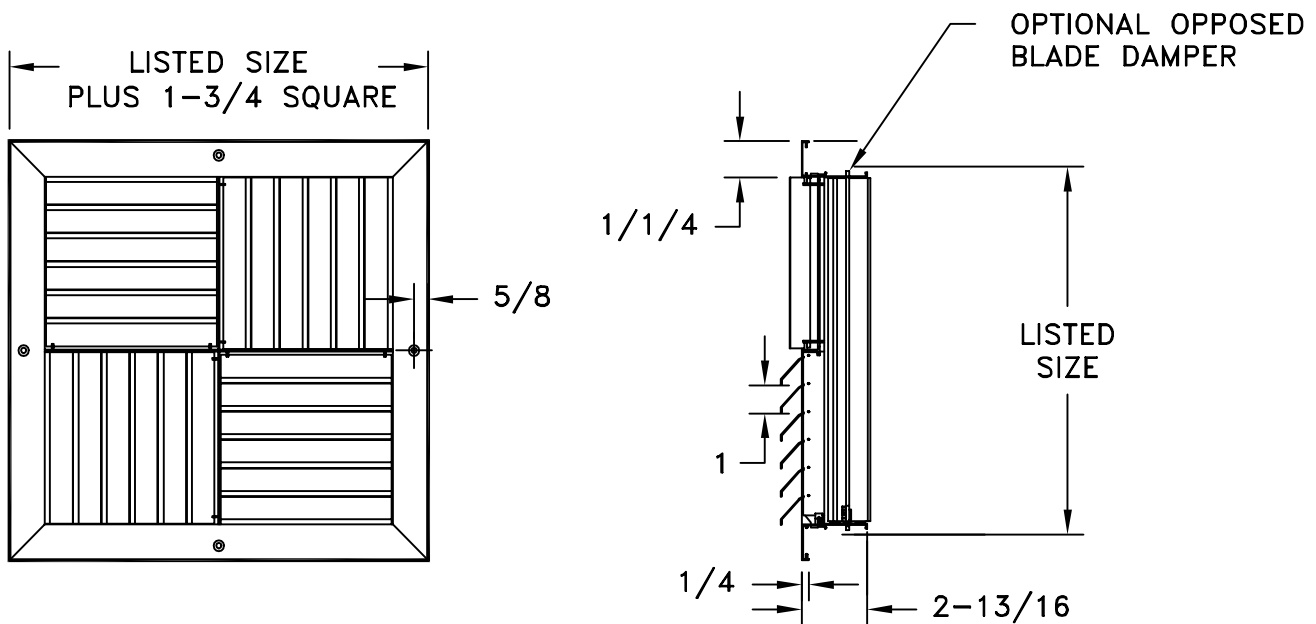
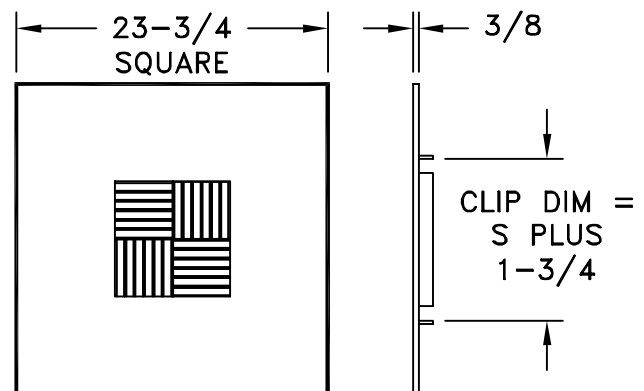


- EXTRUDED ALUMINUM CONSTRUCTION
- MODULAR CORES PROVIDE FOUR-WAY, THREE-WAY, TWO-WAY, OR ONE-WAY HORIZONTAL AIR PATTERNS
- REMOVABLE MODULES PROVIDE EASY ACCESS TO ACCESSORIES
- MCD DIFFUSERS ARE EQUIPED WITH OVERLAP MARGINS DESIGNED TO COVER THE CEILING OPENING AND MINIMIZE SMUDGING
- DIFFUSER MARGIN IS PUNCHED FOR SCREW-FASTENING
- OPTIONAL ALUMINUM OPPOSED BLADE DAMPER AVAILABLE, SPECIFY AS MCDD
- MINIMUM SIZE: 6 X 6 SQUARE
- MAXIMUM SIZE: 22 X 22 SQUARE
- AVAILABLE IN 2 INCH INCREMENTS, SQUARE SIZES ONLY
- FINISH: WHITE (W) ENAMEL



- MAXIMUM SIZE IN 24 x 24 INCH PANEL IS 20 x 20 INCH DIFFUSER
- 10 x 10 INCH DIFFUSER SIZE FITS 12 x 12 INCH CEILING OPENING AND 22 x 22 INCH DIFFUSER SIZE FITS 24 x 24 INCH CEILING OPENING WITHOUT A PANEL
- IT IS RECOMMENDED THAT DIFFUSERS OR PANELS INSTALLED IN GRID CEILING SYSTEMS BE SUPPORTED INDEPENDENT OF THE CEILING HARDWARE
- FINISH: WHITE (W) ENAMEL

MODULAR T-BAR PANEL (OPTIONAL)



JOB NAME: _____
 LOCATION: _____
 ARCHITECT: _____
 ENGINEER: _____
 CONTRACTOR: _____

SUBMITTED BY: _____

DATE: 5/30/03

SD-9320

MCD, MCDD
 Aluminum
 Adjustable Quadrant Diffuser
 Beveled Surface Frame