

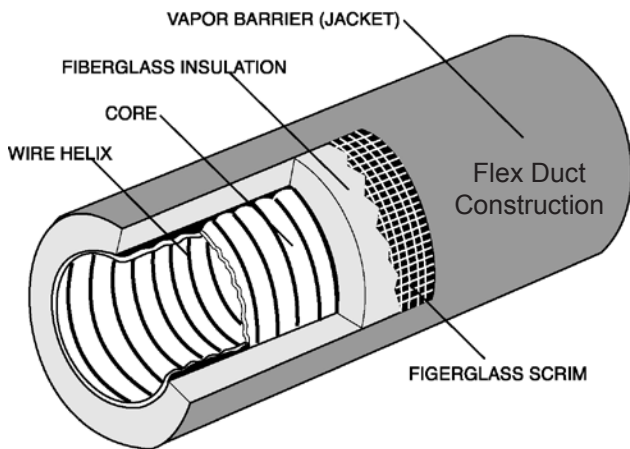
Product Information



Hart & Cooley offers flexible duct products for both residential and commercial applications, that provide the most economical solution to your air-handling needs. H&C uses Formaldehyde-Free insulation for improved indoor air quality. Available in boxes or banded bags. Custom lengths available.

POLYETHYLENE JACKET AIR DUCTS. These feature a durable, scuff-resistant black polyethylene vapor barrier that provides improved protection against damaging ultra-violet light. Installation is made easy with the reinforcing fiberglass yarn scrim, which acts as a rip-stop and helps prevent tearing. These air ducts feature an R-value of 4.2, 6.0 or 8.0 to fit any application, and also come in special configurations especially designed for manufactured homes.

METALIZED JACKET AIR DUCTS. Providing the ultimate in strength and protection, metalized polyester vapor barriers are reinforced with fiberglass scrim to provide high durability and tear resistance. The fiberglass insulation furnishes outstanding thermal protection with R-values of 4.2, 6.0 or 8.0. The metalized jacket air duct and sleeves are available with either a two-ply black polyester core (Residential Series) or high-pressure multi-ply metalized polyester laminate cores (Commercial Series) that encapsulate a high carbon steel wire helix.



TEN-YEAR WARRANTY. All Hart & Cooley flexible duct products are protected by the industry's strongest warranty. Our flexible ducts are warranted to be free of defects in material and workmanship for ten (10) years from the date of shipment. (Contact Hart & Cooley, Inc. for full details.)

ECONOMICAL AIR DUCT CONNECTORS. Designed for high pressure applications, air duct connectors utilize either a multi-ply metalized/polyester laminate encapsulating a high carbon steel wire helix or corrugated aluminum for maximum strength and durability.

UL-LISTED. Hart & Cooley flexible air ducts and air connectors have been rigorously tested by Underwriters Laboratories, Inc. in accordance with UL 181, The Standard for Safety for Factory-Made Air Ducts and Air Connectors. UL is a not-for-profit laboratory with an outstanding reputation for fire safety and performance testing. Make sure that the flexible duct you buy bears this UL mark. **Our UL listing assures you that our duct cores will not promote the growth of mold.**



ADC-CERTIFIED R-VALUES.

All Hart & Cooley insulated flexible air ducts are certified by the Air Diffusion Council for thermal performance in accordance with the ADC Flexible Duct Performance & Installation Standards (1996). Certified R-values are essential to ensure that the product you buy meets the many regulatory energy codes. Only ADC-certified products will bear this ADC thermal certification marking.



Thermal Performance

GREENGUARD FOR CHILDREN & SCHOOLS.

All Hart & Cooley flexible ducts have achieved GREENGUARD for Children & Schools certification. This certification provides consumers with certified low VOC emitting products that have passed rigorous and frequent tests, which help improve indoor air quality.



GREENGUARD LEVEL 4 MICROBIAL RESISTANT.

All Hart & Cooley flexible ducts are GREENGUARD Level-4 Highly Microbial Resistant rated.

THE COLLABORATIVE FOR HIGH PERFORMANCE SCHOOLS



AMERICAN SCHOOLS AND HOSPITAL FACILITIES PRODUCT DIRECTORY

CODE APPROVALS. All Hart & Cooley flexible duct products meet or exceed the requirements of most federal, state, and local mechanical and energy codes. They comply with the International Mechanical Code (IMC), the Uniform Mechanical Code (UMC), NFPA 90A and 90B, HUD, and the California Bureau of Home Furnishings, to name just a few.