

# Model SW

# Installation Instructions

## Tall Cone Flashing with Rain Cap

PLEASE READ AND UNDERSTAND THE REQUIREMENTS BEFORE PROCEEDING

### DIRECTLY ON FLAT ROOF

Prepare a square or round opening per the clearances specified in the general instructions.

Apply weather stripping or outdoor caulk to the bottom of the cone plate.

Attach the cone to the roof, using common construction methods.

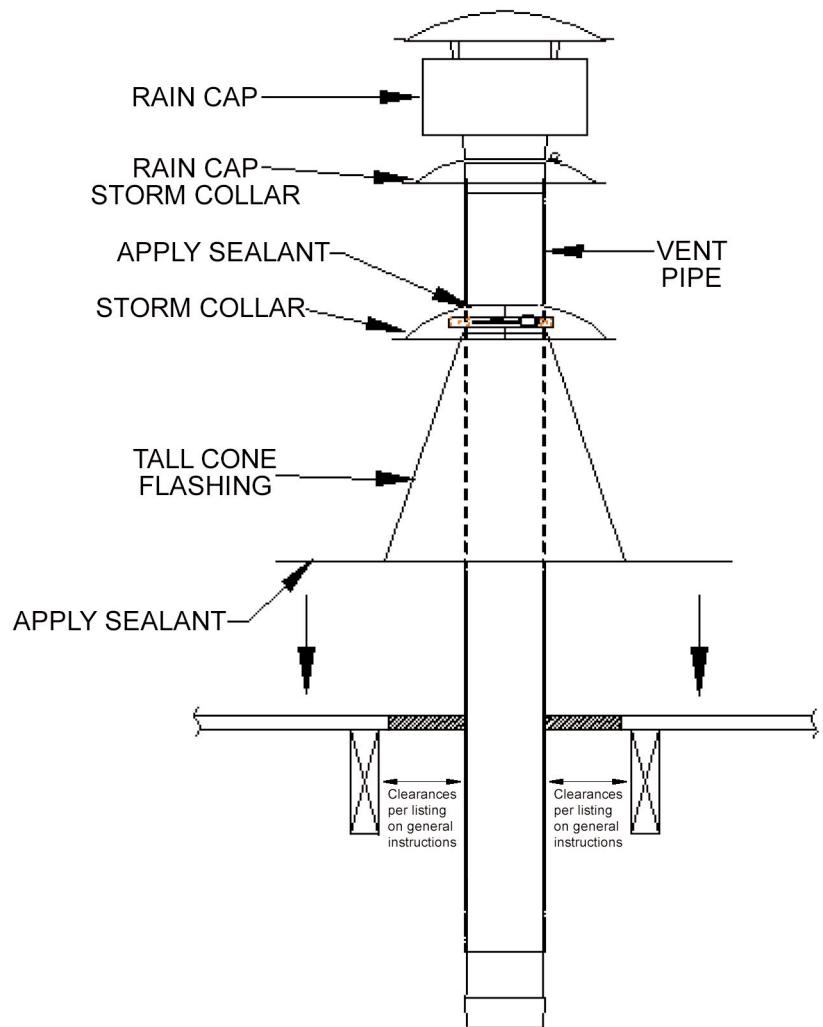
Flash over the cone plate and seal the fastener heads, using normal roofing requirements.

When the vent pipe is in place through the tall cone, attach the tall cone storm collar around the pipe.

Apply RTV sealant around the top of the storm collar and the pipe.

Install the rain cap into the last section of pipe by using the storm collar to capture the fingers of the top pipe section and tightening above the bead located on the rain cap neck. Fold the fingers down onto the top surface of the storm collar.

**Note:** Do not use Model SW gas vent connectors whenever the vent system must pass more than 5 feet through unheated areas (such as attics, crawl spaces, building exteriors or above rooflines) in cold climates that are below freezing for any duration of the year.



Hart & Cooley, Inc. 616.656.8200 p  
5030 Corporate Exchange Blvd. SE 616.656.6399 f  
Grand Rapids, MI 49512  
info@hartcool.com  
www.hartandcooley.com