

# Model TLC

# Installation Instructions

## Supplement

## Adapting Model TLC Chimney to an Existing Masonry Chimney "Bond Beam" Attachment Method

This supplement covers use of the Model TLC anchor plate for adaptation of Model TLC chimney to an existing masonry chimney using the concrete "Bond Beam" attachment method.

Before installing per this method, reference the Model TLC Chimney general instructions (Sheet GS) and anchor plate instructions (Sheet S4) for additional information.

The masonry chimney should be leveled at the appropriate height, and a concrete bond beam should be properly constructed by a qualified person/contractor as shown in Figure 1.

Unless otherwise specified by local code, the bond beam should be a minimum of 6" thick, and provide an uninterrupted smooth transition from the existing masonry flue to the inlet of the anchor plate.

The Model TLC chimney should be sized such that its inner cross-sectional area is approximately equivalent to that of the existing masonry flue. Reference Hart & Cooley's Sizing Handbook and the Guide to General Instructions (Sheet P)

packaged with each chimney length for additional sizing information.

Although not mandatory, it is recommended to apply a ¾" bed of mortar on top of the bond beam, and ultimately attach the anchor plate to the bed of mortar with the use of four ¼" diameter, 2" long anchor bolts. (See Figure 1.) Regardless, the top surface (whether bond beam or mortar) should be level.

If an enclosure is to be constructed around the Model TLC chimney, be sure to incorporate the proper 2" airspace clearance to combustibles.

Local codes may permit or require minor variations in the bond beam construction.

Contact local code authorities for specific requirements in your area.

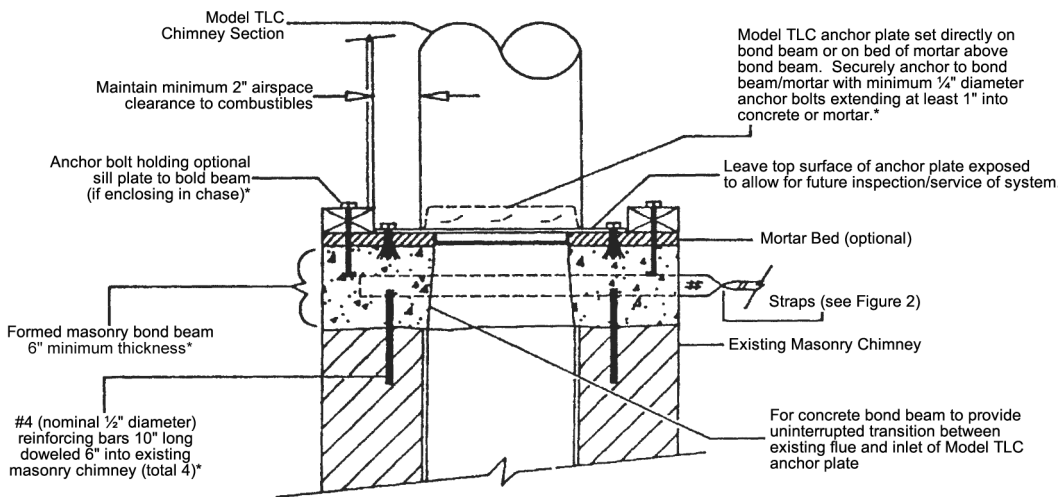


Figure 1 Vertical Cross-Section of Bond Beam Adaptation of Model TLC to Masonry Chimney

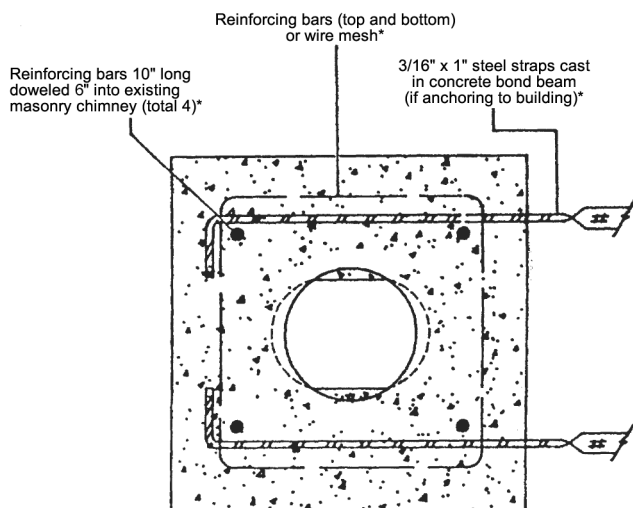


Figure 2 Horizontal Cross-Section of Concrete Bond Beam

\* All dimensions, sizes and material specifications relating to bond beam constructions are subject to modification per local code requirements.

### WARNING

Failure to follow these Installation Instructions could cause FIRE, CARBON MONOXIDE POISONING, OR DEATH. If you are unsure of installation requirements, call the phone number listed on the back of these instructions.

 **Hart & Cooley, Inc.**  
*install confidence*

Hart & Cooley, Inc. 616.656.8200 p  
5030 Corporate Exchange Blvd. SE 616.656.6399 f  
Grand Rapids, MI 49512  
info@hartcool.com  
www.hartandcooley.com