

Read Sheet GS for important clearance and safety precautions before installing any of the parts described in this sheet. Sheet GS is packaged with supports.

CHIMNEYS IN ATTICS

In attics, either use an attic insulation shield or enclose the chimney. The chimney must be protected against the known contact hazards of insulation or stored combustible materials--mattresses, clothing, etc. Building a full enclosure is more effective, but may be difficult and costly in tight spaces where there is little risk of accidental contact. For such situations, the attic insulation shield should be used. **Protection against blown-in cellulose insulation is very important.**

ATTIC INSULATION SHIELD

The function of the attic insulation shield is to keep insulation away from contact with the chimney. Certain insulations made of cellulose fiber (old newspapers, processed wood) may ignite and smolder due to heat trapped by contact with the chimney. When this smoldering fire reaches ordinary wood framing, a flaming fire may result. However, even without a flame, a smoldering fire may create noxious gases and cause great property damage.

The attic insulation shield is **not a firestop** and must be used with another part that is a designated firestop. Parts that serve as firestops include the ceiling support and the firestop/joist shield. An installation with a firestop/joist shield is shown in Figure 1, and an installation above a ceiling support is shown in Figure 2.

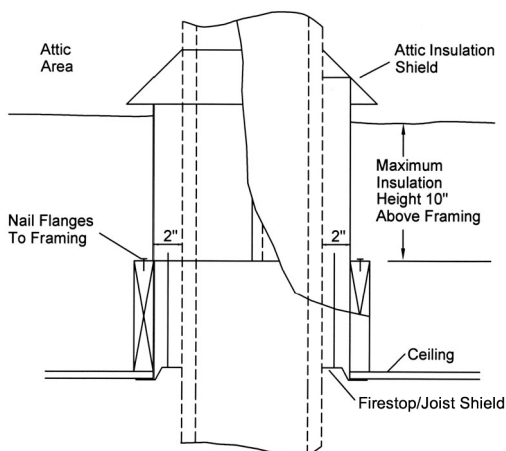


Figure 1 Firestop/Joist Shield used with Attic Insulation Shield

WARNING

Failure to follow these Installation Instructions could cause FIRE, CARBON MONOXIDE POISONING, OR DEATH. If you are unsure of installation requirements, call the phone number listed on the back of these instructions.

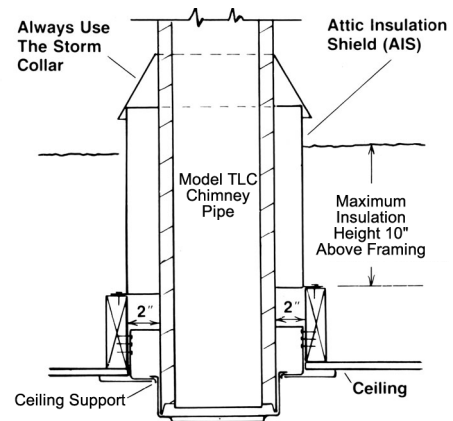


Figure 2 Attic Insulation Shield used over Ceiling Support

INSTALLATION OF THE ATTIC INSULATION SHIELD

The attic insulation shield for the Model TLC chimney consists of two half cylinders, each with its own base plate together with a storm collar closure at the upper end. See Figure 3.

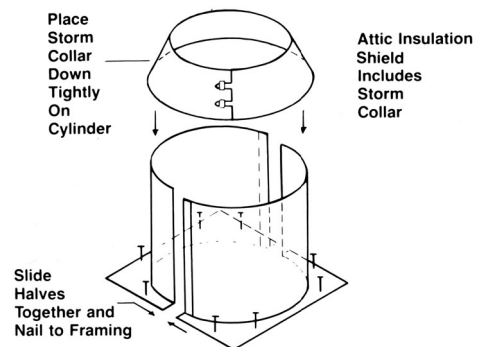


Figure 3 Attic Insulation Shield

For retrofit installation, the attic insulation shield may be placed through openings between 16-inch, on-center ceiling joists. It is also adaptable to limited headroom installations near eaves of roofs where it can be slid into place, or the two halves can be dropped through a roof opening and placed around the chimney.

For proper installation, the attic opening should be fully framed at 2 inches of clearance to the chimney pipe with framing material of the same dimension as the ceiling joists. The square base in the attic insulation shield is placed on the framed opening around the chimney, with the adjoining vertical edges fully together. The storm collar is then placed tightly down over the upper open end of the cylinder. Nail the attic insulation shield base to the framing with at least 2 nails per side.

The split-cylinder, low-profile design of the attic insulation shields permits it to be used close to eaves and sidewalls as shown in Figure 4. If there is sufficient clearance, the storm collar should be used. If the cylindrical shield projects through the roof, it should be trimmed flush with the roof surface so it does not interfere with the flashing.

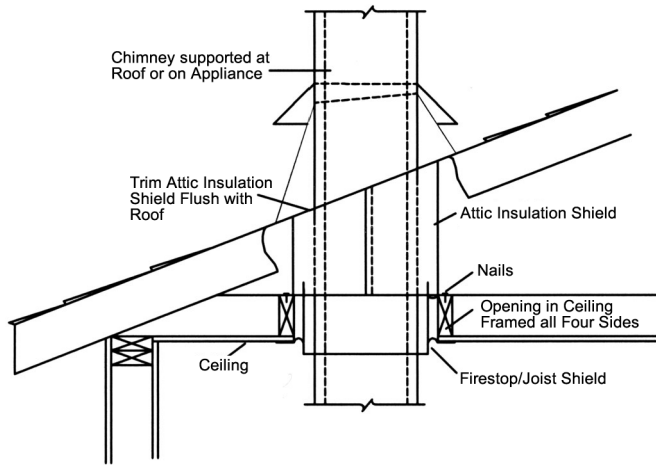


Figure 4 Installation of Attic Insulation Shield near Eaves

Instead of using the attic insulation shield, the chimney installer always has the option of fully enclosing the chimney between the ceiling framing and the roof. This enclosure should be any standard material, such as drywall or plywood, at the required 2-inch clearance.

The attic insulation shield allows for a depth of insulation up to 10 inches plus the depth of the ceiling joists. At this depth, the insulation will be approximately 4 inches below the lower edge of the storm collar.

If insulation is blown in and adheres to the chimney pipe or the storm collar, it should be brushed off to eliminate any possible contact of this material with the chimney surface.



Hart & Cooley, Inc. 616.656.8200 p
5030 Corporate Exchange Blvd. SE 616.656.6399 f
Grand Rapids, MI 49512
info@hartcool.com
www.hartandcooley.com