

Model SW

Installation Instructions

Roof Jack Support

PLEASE READ AND UNDERSTAND THE REQUIREMENTS BEFORE PROCEEDING

The roof jack support is used for all vertical terminations through combustible and noncombustible roof structures. The roof jack supports all wind loading and incidental contact with the flue system, as well as providing vertical support for up to 30 feet of venting (see framing chart).

- Prepare the penetration location for the roof jack support on a flat roof by drilling a small hole up through the roof at the desired location. Refer to the framing

chart Dimension B and Figure 1. Cut a square hole and remove any existing roofing materials to clear the roof jack. If any roof joists must be cut in order to locate the vent, follow local and national building codes for reframing the opening. If using a raised roof curb, refer to the framing chart, Dimension C and Figure 2. Roof curbs can be purchased at most building supply companies and come in many pitches and roof configurations.

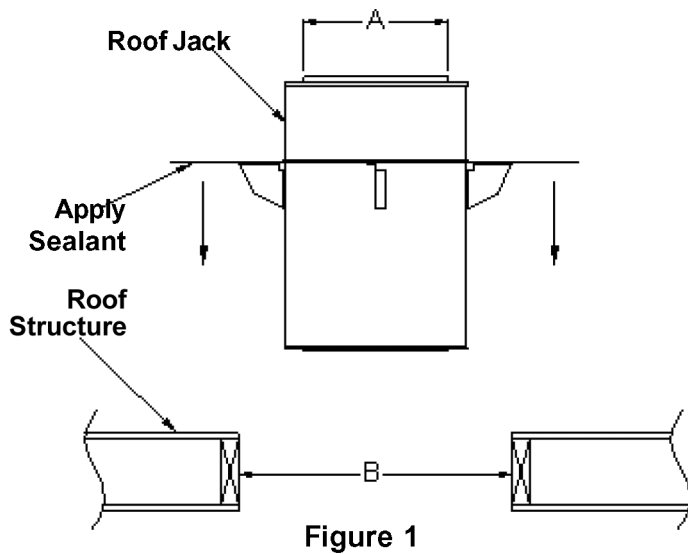


Figure 1

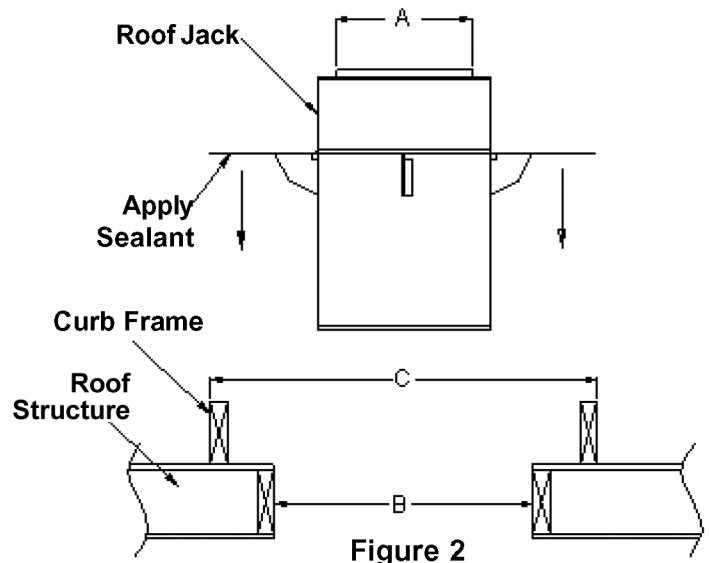


Figure 2

Framing Chart for Model SW Roof Jacks			
Roof Opening Framing Dimensions Figure 1		Curb O.D. Figure 2 Dimension C	Support Distance Vent Height (in feet)
Vent Diameter Dimension A	Opening Dimension B		
3	9 x 9	18	30
4	10 x 10	18	30
5	11 x 11	24	30
6	12 x 12	24	30
7	13 x 13	24	30
8	14 x 14	24	30
9	15 x 15	24	30
10	16 x 16	24	30
12	18 x 18	24	30
14	20 x 20	24	20
16	22 x 22	27	20

Installation Instructions

Model SW Roof Jack Support

- Drill or hand-punch screw or nail holes around the perimeter of the roof jack plate. Apply weather-resistant caulk to the bottom of the roof jack plate, gusset side down (see Figure 1). Center the roof jack over the hole and secure to the roof deck or curb, using screws or roofing nails with neoprene washers.
 - Flash over the roof jack, utilizing normal roofing contractor methods. Flashing materials are not supplied with the roof jack.
 - Install the storm collar, supplied with the roof jack, around the vent pipe that passes through the roof jack. Tighten the storm collar, using the screw clamp. The collar should be sitting on top of the roof jack to prevent the vent pipe from slipping downward (see Figures 3 and 4).
- Apply weather-resistant sealant around the storm collar to prevent rainwater from entering the roof jack.
 - If the vent pipe protrudes more than 6 feet above the roof, guy sections must be used above and below the roof jack for stabilization. Refer to the Model SW installation instructions for roof guy sections (Form No. 851384) if necessary.

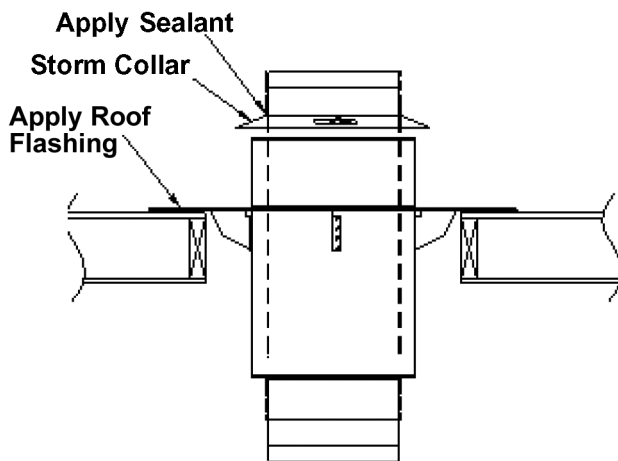


Figure 3

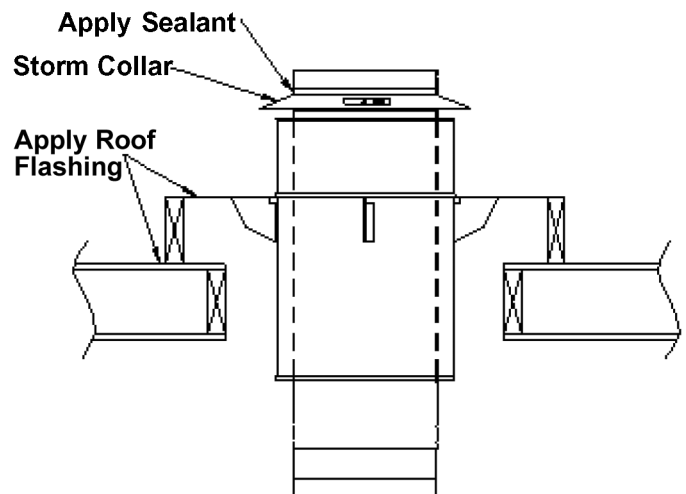


Figure 4



Hart & Cooley, Inc. 616.656.8200 p
5030 Corporate Exchange Blvd. SE 616.656.6399 f
Grand Rapids, MI 49512
info@hartcool.com
www.hartandcooley.com