

Model SW

Installation Instructions

Guy Sections

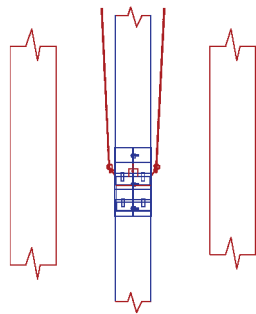
PLEASE READ AND UNDERSTAND THE REQUIREMENTS BEFORE PROCEEDING

The Model SW guy sections may be utilized for additional support as system support hangers (when the systems are installed in long inaccessible chases) or for guy attachment sections for additional wind load resistance at extended heights above a roof.

INSTALLATION INSIDE A CHASE

When the Model SW system must extend inside an inaccessible chase (or pre-existing chimney) for distances beyond the recommended maximum between supports (80 feet for Model SW 3" to 8" diameter, 50 feet for Model SW 10" or larger), the guy sections may be used to anchor the system to the top of the chase or chimney.

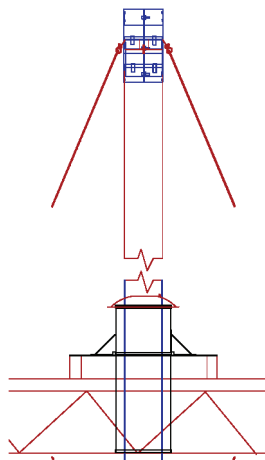
1. Install the (first) guy section at approximately the midpoint of any continuous vertical run, but in no case further than 50 feet above or below a bottom support, roof jack or additional guy section. On single-wall Model SW systems, the guy section attaches exactly as described in the Model SW installation instructions (Form No. 851377).
2. Attach stainless steel or galvanized cable with a minimum rated capacity of 500 lbs. to each of the four anchor holes.
3. Continue installing sections and feeding cable, attaching additional guy sections as required, until the vent is properly positioned. Attach the top end of the cables to solid masonry or other rigid building member.



INSTALLATION ABOVE THE ROOFLINE

When Model SW systems must extend more than 6 feet above the roofline, the guy section must be used to stabilize the system.

1. Install the guy section one vent section (2' length or less) below the rain cap vertical termination. On single-wall Model SW systems, the guy section attaches exactly as described in the Model SW installation instructions (Form No. 851377).

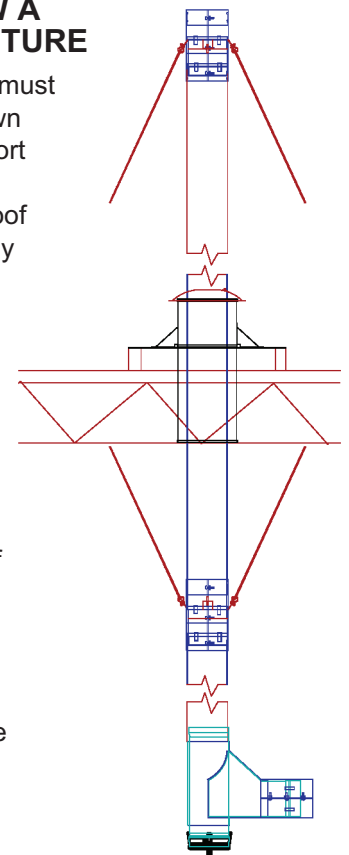


2. Attach stainless steel or galvanized cable with a minimum rated capacity of 500 lbs. to each of the four anchor holes.
3. Securely anchor the cables to a rigid building member, using appropriate anchors.
4. If there is no solid anchor point in the system below the Model SW roof support jack, an additional guy section must be used below the ceiling/roof structure as described in the following section.

INSTALLATION BELOW A CEILING/ROOF STRUCTURE

When the Model SW system must extend more than 30 feet down below a Model SW roof support jack, or if the system extends more than 6 feet above the roof jack and is supported by a guy section above the roofline:

1. Attach the guy section at any point before an elbow or tee in the vertical drop within 30 feet of the roof support system.
2. Attach stainless steel or galvanized cable with a minimum rated capacity of 500 lbs. to each of the four anchor holes.
3. Securely anchor the cables to a rigid building member, using appropriate anchors.



Hart & Cooley, Inc. 616.656.8200 p
5030 Corporate Exchange Blvd. SE 616.656.6399 f
Grand Rapids, MI 49512
info@hartcool.com
www.hartandcooley.com