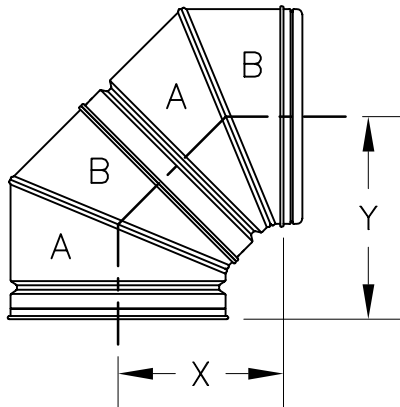


VERTICAL OFFSET

SIZE	A	B	X	Y
7	4.375	2.625	4.949	11.949
8	4.625	2.875	5.303	12.803
10	5.000	3.250	5.833	14.833
12	5.500	3.750	6.540	15.790
14	7.000	4.000	7.777	18.777
16	7.375	4.375	8.307	20.057
18	7.750	4.750	8.838	21.338
20	8.250	5.250	9.545	20.045
22	8.625	5.625	10.075	24.325
24	9.000	6.000	10.605	25.605



90° OFFSET

SIZE	A	B	X	Y
7	4.375	2.625	7.574	9.324
8	4.625	2.875	8.178	9.928
10	5.000	3.250	9.083	10.833
12	5.500	3.750	10.290	12.040
14	7.000	4.000	11.777	14.777
16	7.375	4.375	12.682	15.682
18	7.750	4.750	13.588	16.588
20	8.250	5.250	14.795	17.795
22	8.625	5.625	15.700	18.700
24	9.000	6.000	16.605	19.605

JOB NAME: _____	SUBMITTED BY: _____	DATE: 11/29/01	SD-3138
LOCATION: _____	<b>B-Vent 45° Offsets</b> REA45, RE45 7" - 24" Diameter		
ARCHITECT: _____			
ENGINEER: _____			
CONTRACTOR: _____			